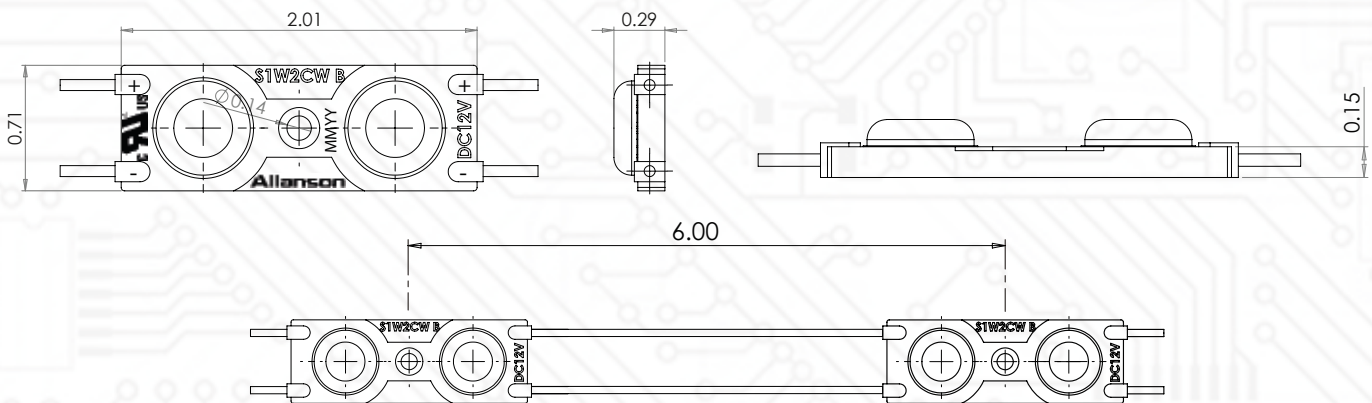


LEDgenII 1W

Specifications Chart

	S1W2CW B
Color Temperature	7000K
LED/MOD	2
MOD/FT	2
Lumens/Mod	104
Lumens/Ft	208
Lumens/watt	95
Beam Angle	160
Power consumption (watt)	1.1
Input Voltage	DC 12V
Operating Temperature	-30° C to +60° C
IP level	67
Packaging	
Anti-Static Bag	50 modules
Carton	600
Master Carton	1200
Warranty	5 years



For all your population services contact us at led@allanson.com



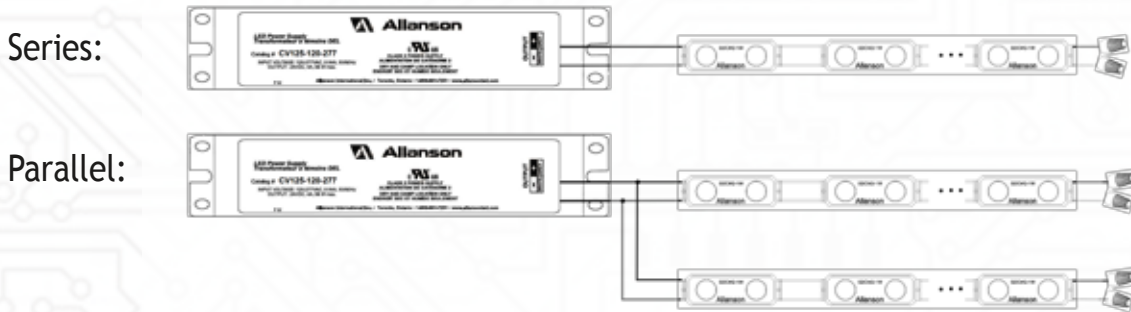
LEDgenII 1W Power Supply Loading Information

Part Number	Wattage	Number of Modules	Number of Feet
CV122-120-277	24	20	10
CV125-120	60	50	25
CV125-120-277	60	50	25
CV12125-MV	2X60	100	50
CVW125-MV	60	50	25

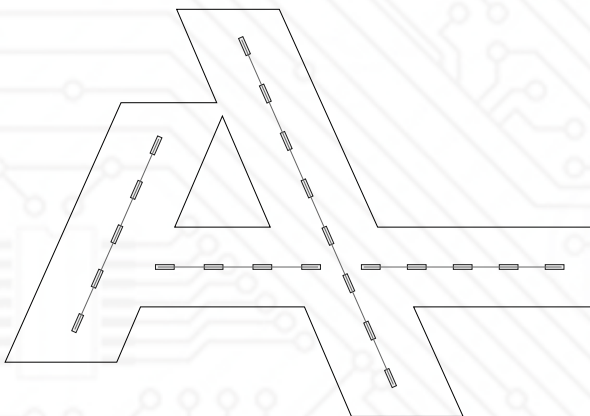
Distance to Power Supply	Stranded Copper Wire Gauge	Expected Voltage Drop
13 feet	16 AWG	5%
20 feet	14 AWG	5%
30 feet	12 AWG	5%

*Wire size recommendation from LED Module to Power supply.

Modules can be connected in series or parallel:



Modules Population Recommendation*



Recommended Depth	Stroke Spacing Range
4 inches	6 -7 inches
5 inches	8-10 inches
6 inches	10-12 inches
8 inches	12-14 inches

*For all your population services and estimations, please send .ai or .eps files to led@allanson.com.